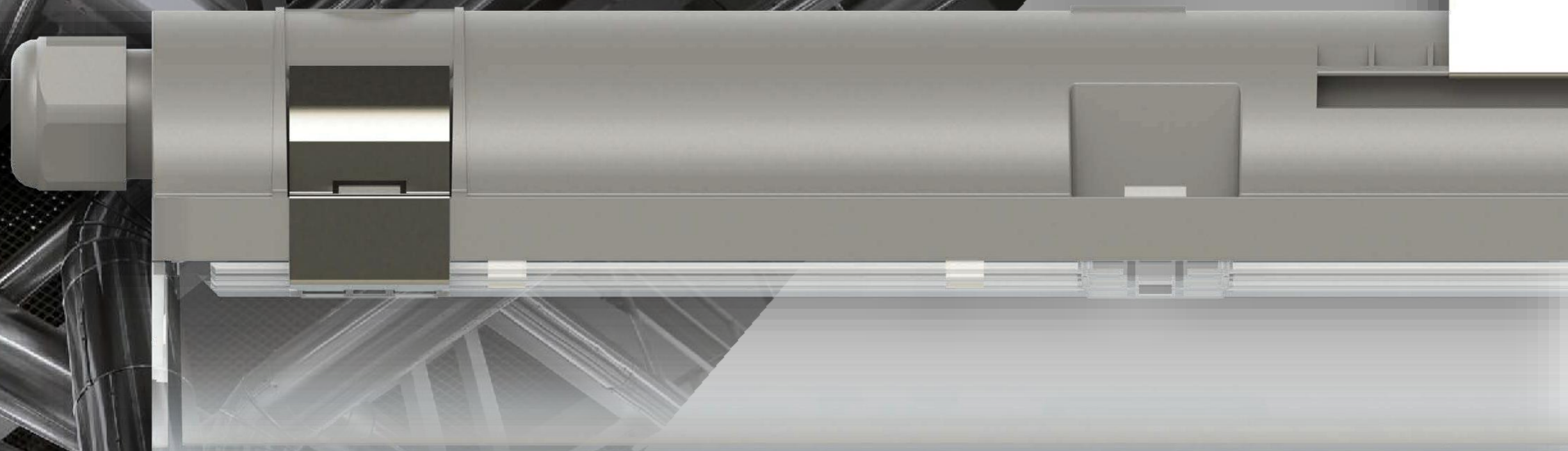


PRIMARY LIGHTING LUMINAIRES

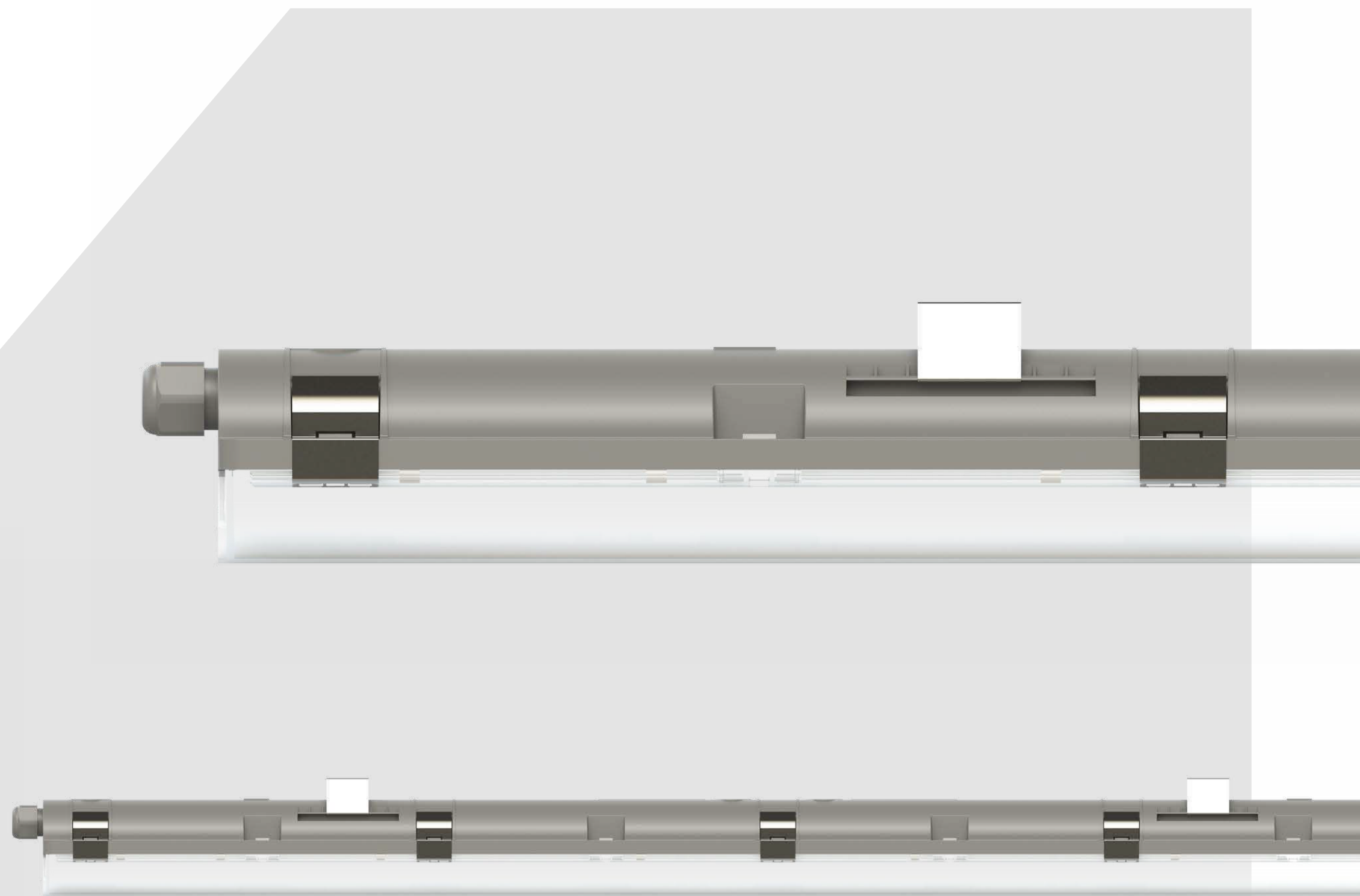
# H-LINE<sup>TM</sup>



Waterproof LED luminaire  
with a unique, modern look and  
advanced technology.

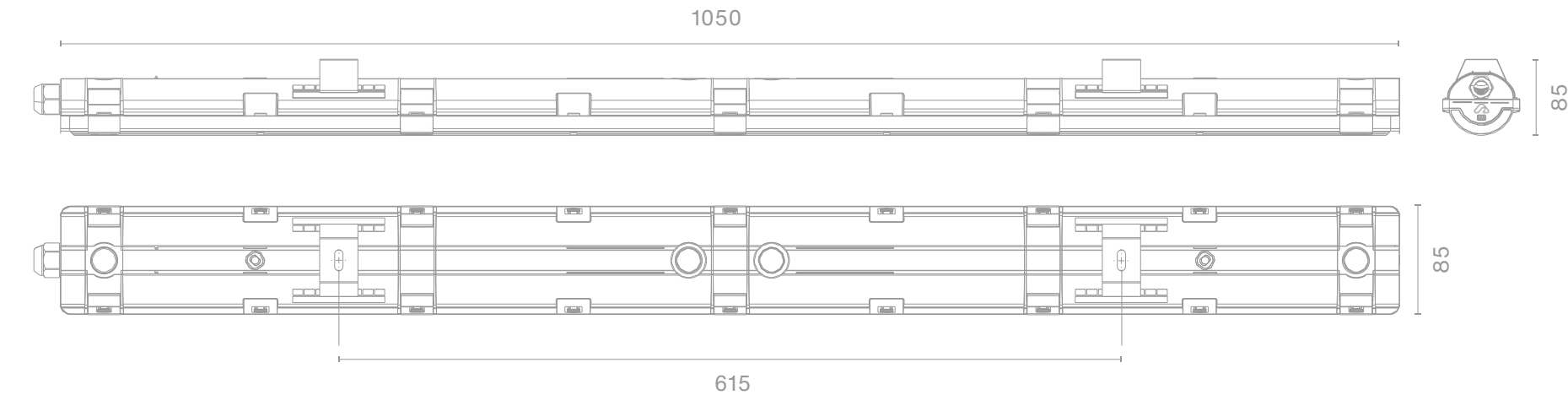
The luminaire has a high protection rating  
(IP66). It is made of polycarbonate  
with very high strength and fire  
resistance.

The luminaire is made in Poland and is  
available in several different versions.





DESIGN	Body and diffuser made of polycarbonate ▪ ceiling brackets and optional diffuser clips made of AISI 304 stainless steel ▪ body with a gland for IP66 protection
COLOUR	Available body colours: grey, black, white ▪ other colours available upon request
MOUNTING	Surface mounting ▪ pendant mounting
SUPPLY VOLTAGE	220–240 V AC 50/60 Hz ▪ can be supplied with 176...276 V DC
ELECTRICAL CONNECTION	0.5–2.5 mm <sup>2</sup> quick connector in the body ▪ optional: external cable, quick connector outside the luminaire
LIGHT SOURCE	LED ▪ 3000 K / 4000 K / 5000 K ▪ CRI≥80 ▪ SDCM≤3
LED LIFE	100 000 h L80B10 (t <sub>a</sub> = 25°C)
APPLIANCE CLASS	I ▪ II
INGRESS AND IMPACT PROTECTION RATING	IP66 ▪ IK09
OPERATING TEMPERATURE	-25°C to +35°C
ACCESSORIES	ED (on / off) ▪ DA (DALI)
FUNCTIONS / OPTIONS	CLO (constant lumen output) ▪ motion sensor ▪ emergency versions ▪ pass-through cabling
APPLICATIONS	Car parks ▪ production buildings ▪ warehouse buildings ▪ logistics centres ▪ workshops



**DIFFUSER/LENS TYPE** Opalescent diffuser ▪ frosted diffuser with increased efficacy ▪ transparent diffuser with lenses

**DIFFUSER/LENS BEAM**

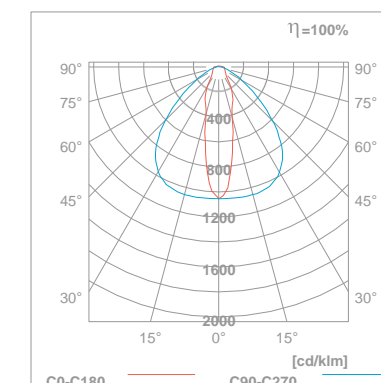
For the transparent diffuser with lenses:

- Corridor beam (CR) – 30°×90°
- Medium beam (ME) – 60°
- Wide beam (WI) – 90°

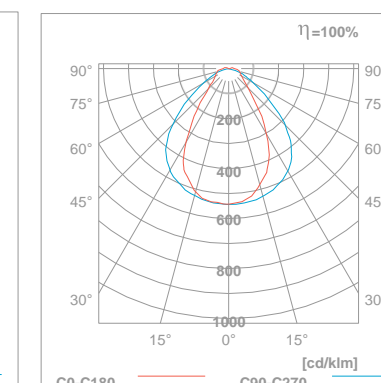
For the frosted and opalescent diffuser:

Wide beam – 120°

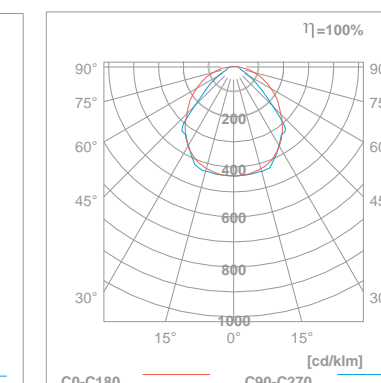
CR



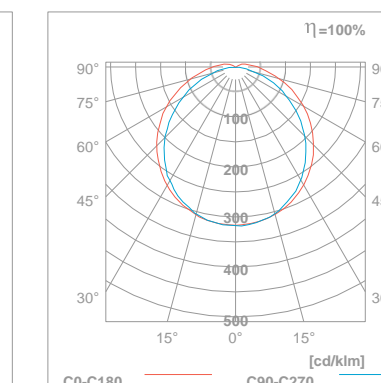
ME



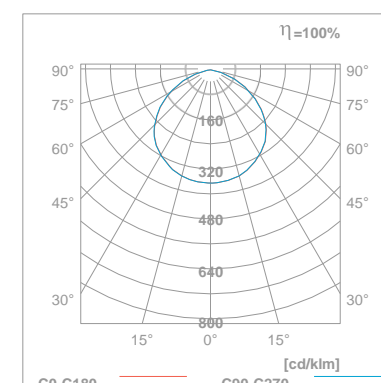
WI



OPALESCENT DIFFUSER



FROSTED DIFFUSER



	CODE	APPROXIMATE FLUX [lm]	WATTAGE [W]	EFFICACY [lm/W]	CONTROL	LIGHT SOURCE COLOUR TEMPERATURE [K]
H-LINE - EXAMPLES OF LUMINAIRES	HLN/105/30/840/DI/ED/X/OG/X/X/SPS/3/ST	3132	22	142	ON/OFF	4000
	HLN/105/30/840/DI/DA/X/OG/X/X/SPS/3/ST	3132	22	142	DALI	4000
	HLN/105/35/840/DI/ED/X/FG/X/X/SPS/3/ST	3398	22	154	ON/OFF	4000
	HLN/105/35/840/DI/DA/X/FG/X/X/SPS/3/ST	3398	22	154	DALI	4000
	HLN/105/53/840/DI/ED/X/OG/X/X/SPS/4/ST	5348	38	141	ON/OFF	4000
	HLN/105/53/840/DI/DA/X/OG/X/X/SPS/4/ST	5348	38	141	DALI	4000
	HLN/105/60/840/DI/ED/X/FG/X/X/SPS/4/ST	5830	38	153	ON/OFF	4000
	HLN/105/60/840/DI/DA/X/FG/X/X/SPS/4/ST	5830	38	153	DALI	4000
	HLN/105/77/840/DI/ED/X/OG/X/X/SPS/5/ST	7919	53	149	ON/OFF	4000
	HLN/105/83/840/DI/DA/X/FG/X/X/SPS/5/ST	8421	53	159	DALI	4000

NAME	BODY SIZE	FLUX	CRI AND COLOUR TEMPERATURE	LIGHTING DIRECTION	POWER SUPPLY	SENSOR	DIFFUSER / BODY	BEAM	PASS-THROUGH POWER SUPPLY	POWER CONNECTION	PERFORMANCE	DESIGN
HLN	105	20 30 40 50 60 70 80 90 100	830 840 850 930 940 950	DI IN	ED DA	X (none) MMS	TW TG TB OW OG OB FW FG FB	X (none) NA ME WI CR	X (none) TW315 TW325 TW415 TW425 TW515 TW525 TW615 TW625	SPS SFC	3 4 5	ST

LUMINAIRE  
FAMILY AND  
GENERATION



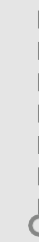
FLUX



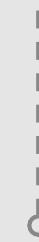
LIGHTING  
DIRECTION



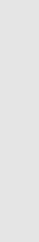
SENSOR



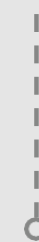
BEAM



POWER  
CONNECTION



DESIGN



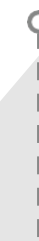
**HLN / 105 / 40 / 840 / DI / ED / X / TT / X / X / SPS / 4 / ST**



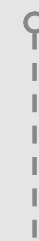
SIZE



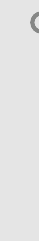
CRI



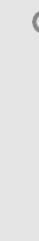
COLOUR  
TEMPERATURE



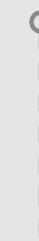
POWER  
SUPPLY



DIFFUSERS  
/ BODY  
COLOUR



PASS-THROUGH  
POWER SUPPLY



PERFORMANCE

## Attributes

- › original look; luminaire designed and made at our production plant - various body colours and diffuser types available (opalescent, matte and transparent diffuser)
- › length: 1050 mm; shorter than most luminaires of the competition, takes up less space on the ceiling and in transport
- › additional clips at the ends of the housing for full watertightness of the ends
- › thanks to the large number of clips, the diffuser is tightly sealed along the entire length of the body and gasket
- › easy electrical connection – hinged bracket, the electronic unit is not suspended on cables
- › springs made of AISI 304 stainless steel can be added to mount the diffuser
- › available with lenses as an option
- › power connection at the top of the luminaire available as an option
- › surface-mounted luminaire that can also be suspended on a cable/chain
- › available in the emergency version (CNBOP)
- › available with quick connectors or an external power cable
- › the DALI version can be programmed with the Constant Lament Output (CLO) function
- › microwave motion sensor available as an option
- › available with pass-through cabling
- › available with indirect light (lighting upwards) in the version with a transparent body
- › the operating temperature can be extended as an option
- › can be fitted with a protective cage (e.g., for sports halls)
- › own light sources based on LEDs from the best manufacturers (Samsung, CREE, Osram); flexible adaptation to customer expectations – customisable colour temperatures and CRIs
- › electronic components (power supply units) from European manufacturers (Osram, Tridonic, Helvar)

