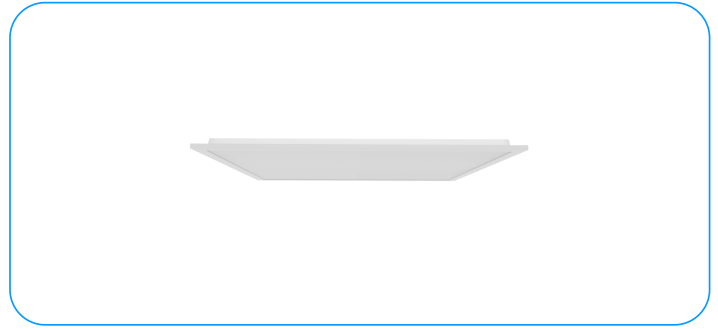


# SQLIGHT LED MP 1.0



## Advantages

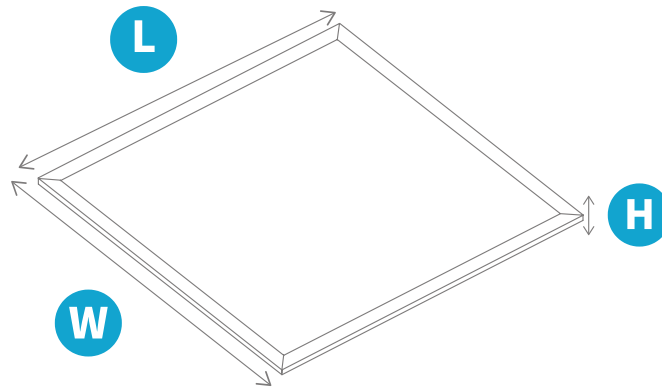
- Quick and easy installation
- Low UGR coefficients
- Luminaire with power selection on the power supply
- 5-year warranty

IP40



MULTIPOWER

NAME	PRODUCT CODE	CURRENT [mA]	POWER [W]	LUMINOUS FLUX [lm]	EFFICACY [lm/W]	CCT [K]	CRI	IP	BEAM ANGLE
SQLIGHT LED MP 1.0	SQL1MP.10.032.8A4000	400	19	3200	168	4000K	>80	IP40	90° x 90°
		500	23	3950	172				
		600	28	4800	171				
		700	32	5550	173				



H

W

L

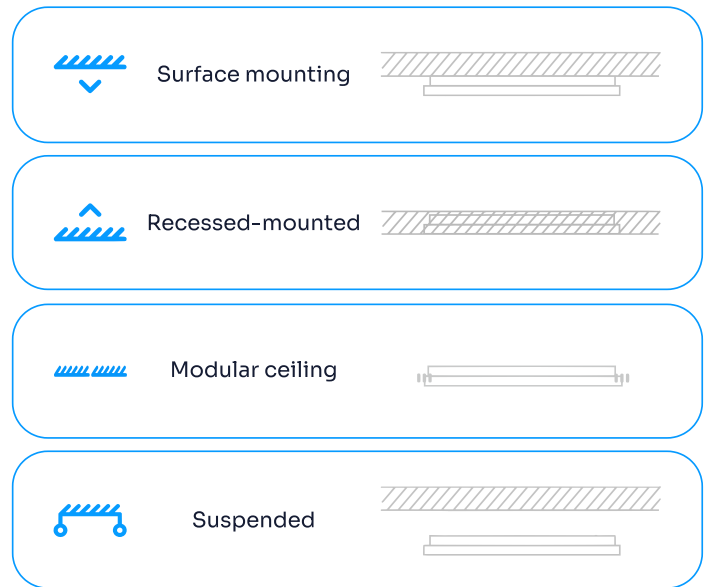
SQL1MP.1

35

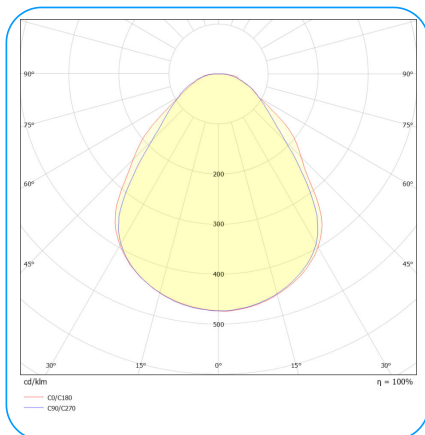
595

595

## Montage



## Luminous flux



## Available configurations

Family	Power version	Version	Power [W]	CRI	Type of diode	CCT [K]	Lens material	Diffuser material	Beam angle	Control	Operating temperature	Warranty	Modifications
SQLIMP SQLIGHT LED MP 1.0	1 1	0 Standard	032 19/23/28/32W	8 >80	A Mid Power	4000 4000K	1 PMMA lens	P14 PMMA diffuser Microprismatic	090090 90°x90°	00 On/Off	0040 -0°C÷40°C	05Y 5 Years	0000 No modification

## Example product code

SQL1MP.10.032.8A4000.1P14.090090.00.0040.05Y.0000

## Photo Gallery

