

SQLIGHT LED 30X120 1.0



Advantages

- Quick and easy installation
- Low UGR coefficients

IP40



SQLIGHT LED 30X120 1.0 1



P



Ra

IP



SQL1D1.10.019.8A4000

19

2700

4000K

>80

IP40

90°X90°

1,8kg

SQLIGHT LED 30X120 1.0 2



P



Ra

IP



SQL1D1.20.023.8A4000

23

3250

4000K

>80

IP40

90°X90°

1,8kg

SQLIGHT LED 30X120 1.0 3

	P			Ra	IP		
SQL1D1.30.027.8A4000	27	3800	4000K	>80	IP40	90°X90°	1,8kg

SQLIGHT LED 30X120 1.0 4

	P			Ra	IP		
SQL1D1.40.030.8A4000	30	4150	4000K	>80	IP40	90°X90°	1,8kg

SQLIGHT LED 30X120 1.0 5

	P			Ra	IP		
SQL1D1.50.034.8A4000	34	4650	4000K	>80	IP40	90°X90°	1,8kg

SQLIGHT LED 30X120 1.0 6





Ra

IP

90°X90°

1,8kg

SQL1D1.60.040.8A4000

40

5400

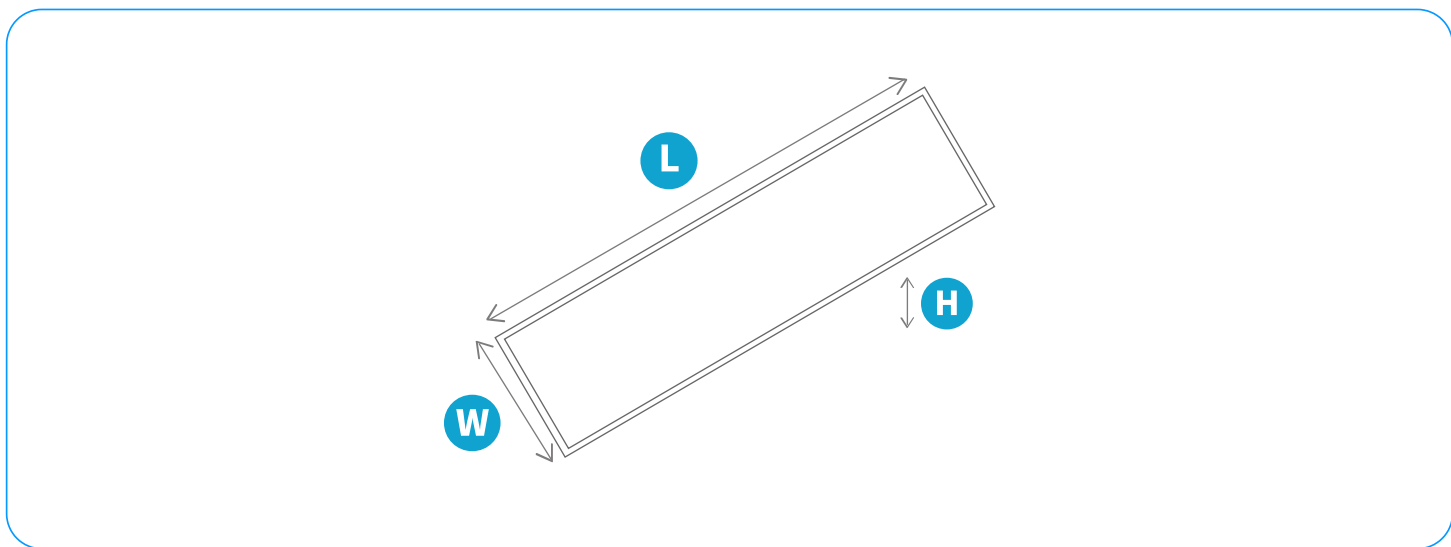
4000K

>80

IP40

90°X90°

1,8kg




H
W
L

STANDARD DALI	SQL1D1.1	30	295	1195
		30	295	1195

STANDARD DALI	SQL1D1.2	30	295	1195
		30	295	1195

STANDARD DALI	SQL1D1.3	30	295	1195
		30	295	1195

STANDARD DALI	SQL1D1.4	30	295	1195
		30	295	1195

STANDARD DALI	SQL1D1.5	30	295	1195
		30	295	1195

STANDARD DALI	SQL1D1.6	30	295	1195
		30	295	1195

Montage



Surface mounting



Recessed-mounted



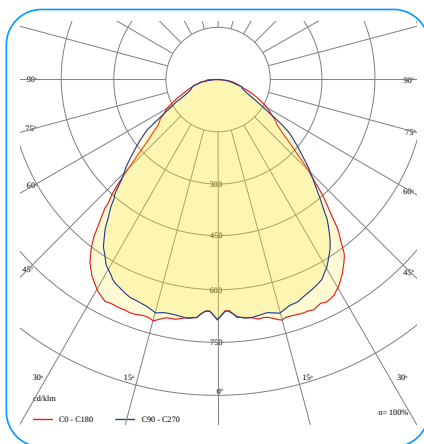
Modular ceiling



Suspended



Luminous flux



90°X90°

Available configurations

Family	Power version	Version	Power [W]	CRI	Type of diode	CCT [K]	Lens material	Diffuser material	Beam angle	Control	Operating temperature	Warranty	Modifications
SQLID1 SQLIGHT LED 30X120 1.0	1 1	0 Standard	019 19W	8 >80	A Mid Power	4000 4000K	1 PMMA lens	P34 PS diffuser Microprismatic	090090 90°x90°	00 On/Off	0040 -0°C=40°C	05Y 5 Years	0000 No modification
	2 2		023 23W							D0 DALI			
	3 3		027 27W										
	4 4		030 30W										
	5 5		034 34W										
	6 6		040 40W										

Example product code

SQLID1.10.019.8A4000.1P34.090090.00.0040.05Y.0000

Photo Gallery

