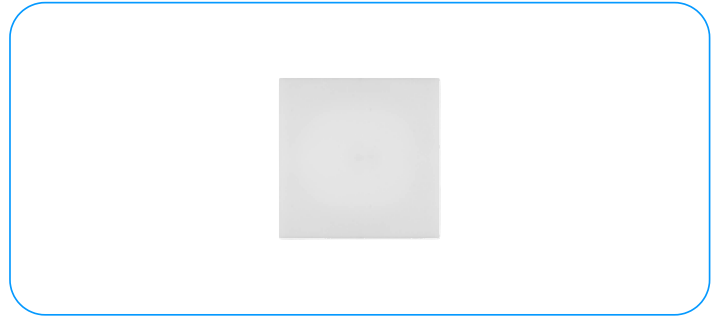


# Maris LED S 1.0



## Advantages

- High impact resistance IK08
- No visible light spots
- Available version with motion sensor

IP54

IK10



## Maris LED S 1.01



P



Ra

IP



MRS1ST.10.022.8A4000

22

2480

4000K

>80

IP54

120°X120°

1,3kg

MRS1ST.10.029.8A4000

29

2950

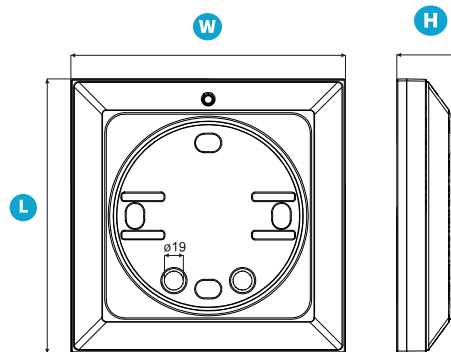
4000K

>80

IP54

120°X120°

1,3kg



H

W

L

MRS1ST.1

63

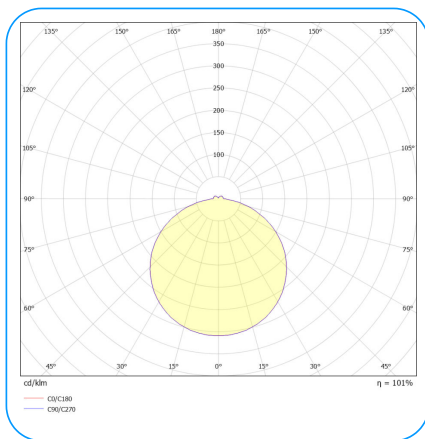
280

280

## Montage



## Luminous flux



120°X120°

## Available configurations

Family	Power version	Version	Power [W]	CRI	Type of diode	CCT [K]	Lens material	Diffuser material	Beam angle	Control	Operating temperature	Warranty	Modifications
MRS1ST Maris LED S 1.0	1 1	0 Standard	022 22W	8 >80	A Mid Power	4000 4000K	0 No lens	P23 PC diffuser Matt	120120 120°x120°	00 On/Off	0040 -0°C=40°C	05Y 5 Years	0000 No modification
			029 29W							S1 Motion sensor			

## Example product code

MRS1ST.10.022.8A4000.OP23.120120.00.0040.05Y.0000

## Photo Gallery

