

# Maris LED C 1.0



## Advantages

- High impact resistance IK08
- No visible light spots
- Available version with motion sensor

IP54

IK10

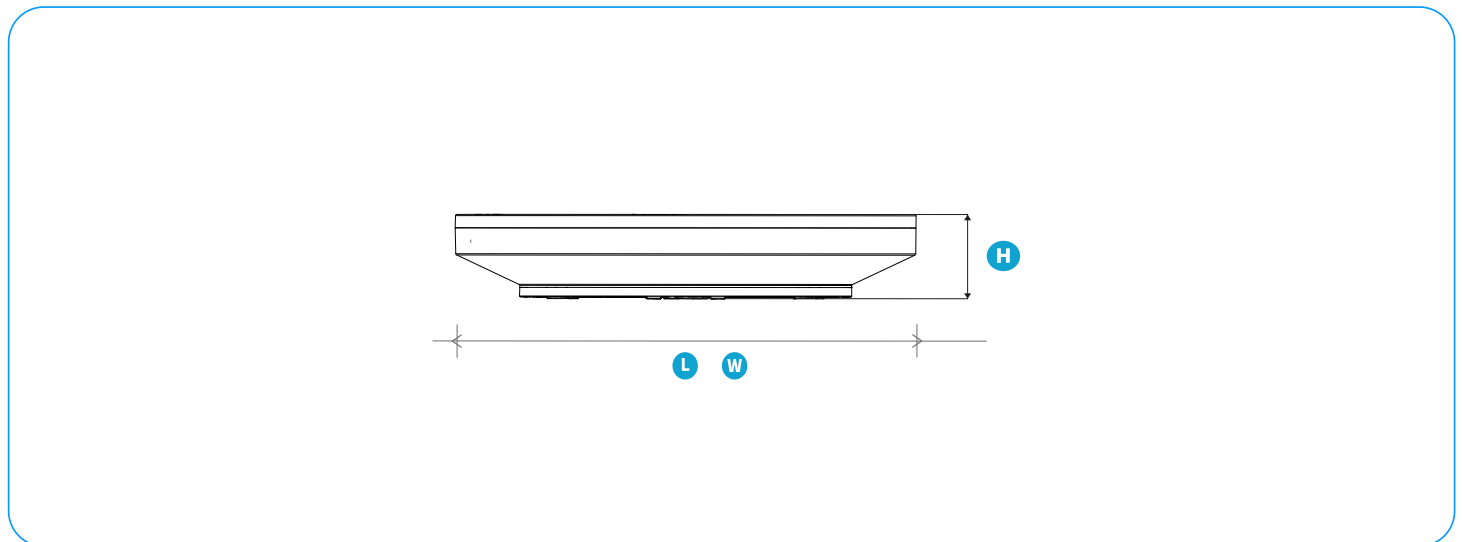


## Maris LED C 1.0 1

	P			Ra	IP		
--	---	--	--	----	----	--	--

MRC1ST.10.022.8A4000	22	2600	4000K	>80	IP54	120°X120°	1,3kg
----------------------	----	------	-------	-----	------	-----------	-------

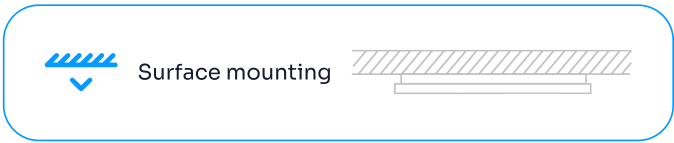
MRC1ST.10.029.8A4000	29	3040	4000K	>80	IP54	120°X120°	1,3kg
----------------------	----	------	-------	-----	------	-----------	-------



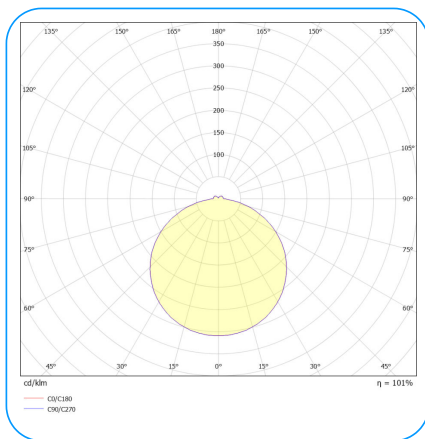
	H	W	L
--	---	---	---

MRC1ST.1	63	280	280
----------	----	-----	-----

## Montage



## Luminous flux



120°X120°

## Available configurations

Family	Power version	Version	Power [W]	CRI	Type of diode	CCT [K]	Lens material	Diffuser material	Beam angle	Control	Operating temperature	Warranty	Modifications
MRC1ST Maris LED C 1.0	1 1	0 Standard	022 22W	8 >80	A Mid Power	4000 4000K	0 No lens	P23 PC diffuser Matt	120120 120°x120°	00 On/Off	0040 -0°C=40°C	05Y 5 Years	0000 No modification
			029 29W							S1 Motion sensor			

## Example product code

MRC1ST.10.022.8A4000.OP23.120120.S1.0040.05Y.0000

## Photo Gallery

