

# MADRID LED A 2.0



## Advantages

- High protection class IP66
- High impact resistance IK08
- Solid aluminum housing

IP66

IK08



## MADRID LED A 2.0 1



P

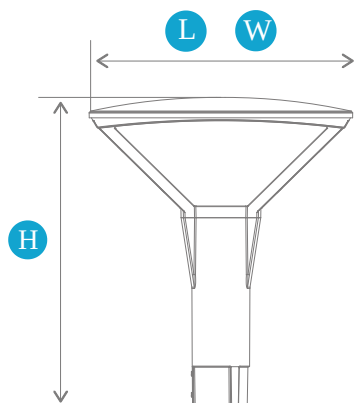


Ra

IP



Barcode	P	lm	K	Ra	IP	Beam Angle	Weight
MAD2ST.10.030.8A3000	30	4450	3000K	>80	IP66	120°X120° 105°X140° 150°X80°	7,1kg
MAD2ST.10.030.8A4000	30	4700	4000K	>80	IP66	120°X120° 105°X140° 150°X80°	7,1kg
MAD2ST.10.040.8A3000	40	5900	3000K	>80	IP66	120°X120° 105°X140° 150°X80°	7,1kg
MAD2ST.10.040.8A4000	40	6250	4000K	>80	IP66	120°X120° 105°X140° 150°X80°	7,1kg
MAD2ST.10.050.8A3000	50	7400	3000K	>80	IP66	120°X120° 105°X140° 150°X80°	7,1kg
MAD2ST.10.050.8A4000	50	7800	4000K	>80	IP66	120°X120° 105°X140° 150°X80°	7,1kg
MAD2ST.10.060.8A3000	60	8900	3000K	>80	IP66	120°X120° 105°X140° 150°X80°	7,1kg
MAD2ST.10.060.8A4000	60	9400	4000K	>80	IP66	120°X120° 105°X140° 150°X80°	7,1kg



H

W

L

MAD2ST.1

526

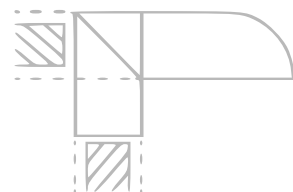
465

465

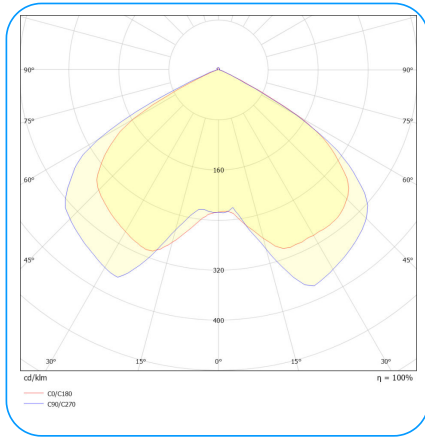
## Montage



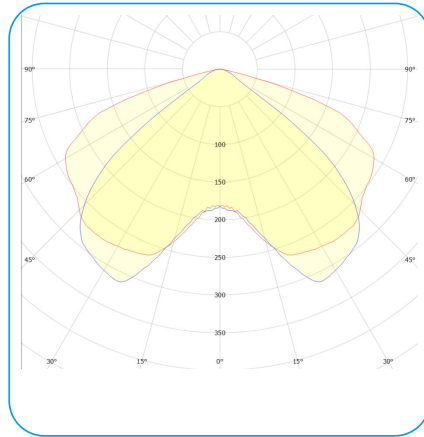
Pole mounting Ø60



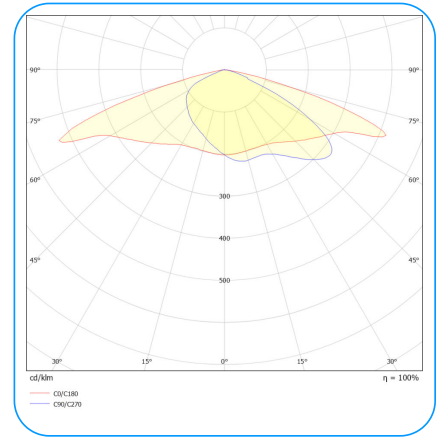
## Luminous flux



120°x120°



105°x140°



150°x80°

## Available configurations

Family	Power version	Version	Power [W]	CRI	Type of diode	CCT [K]	Lens material	Diffuser material	Beam angle	Control	Operating temperature	Warranty	Modifications
MAD2ST MADRID LED A 2.0	1 1	0 Standard	030 30W	8 >80	A Mid Power	3000 3000K	2 PC lens	G11 Tempered glass Transparent	105140 105°x140°	Z0 Zhaga on the top	3050 -30°C÷50°C	05Y 5 Years	E100 10kV
			040 40W			4000 4000K			120120 120°x120°				
			050 50W						150080 150°x80°				
			060 60W										

## Example product code

MAD2ST.10.030.8A4000.2G11.120120.Z0.3050.05Y.E100

## Photo Gallery

