

INDUSTRIAL LED MN 7.0

Advantages

- High luminous efficiency up to 176Lm/W
- High protection class IP66
- Quick and easy installation
- Branded components
- Warranty up to 10 years
- High operating temperature range



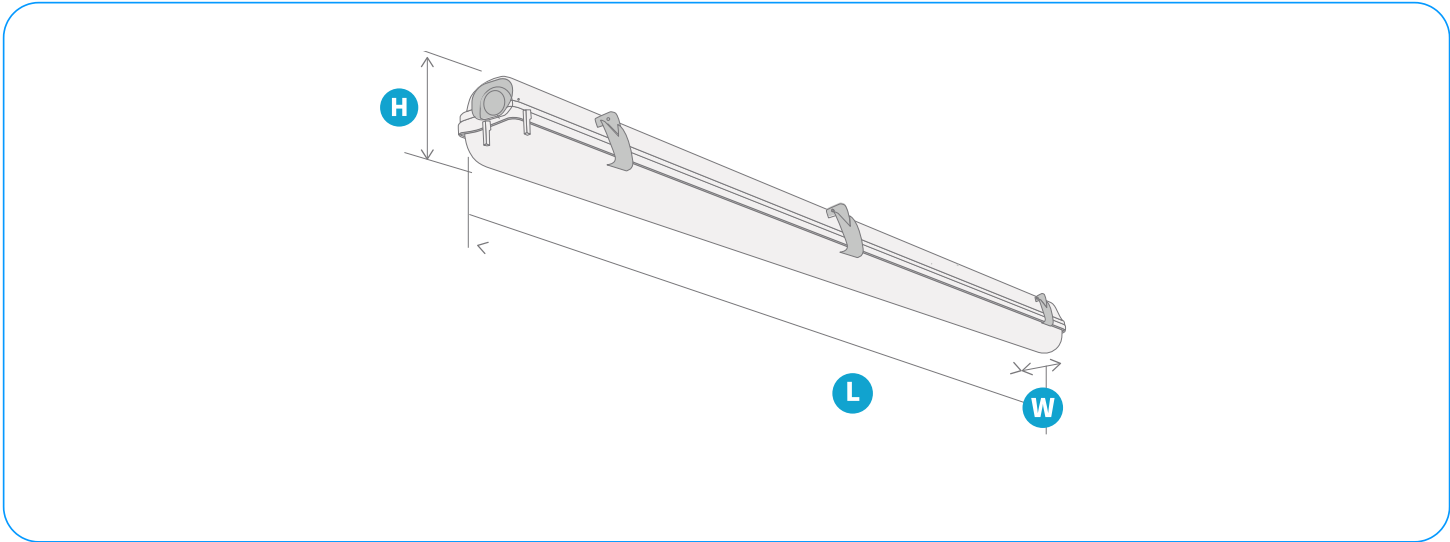
IP66


IK08



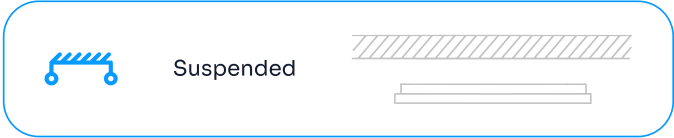
INDUSTRIAL LED MN 7.0 1

	P			Ra	IP		
IND7MN.10.015.8A3000	15	2450	3000K	>80	IP66	120°X105°	1,5kg
IND7MN.10.015.8A4000	15	2600	4000K	>80	IP66	120°X105°	1,5kg
IND7MN.10.015.8A5000	15	2650	5000K	>80	IP66	120°X105°	1,5kg
IND7MN.10.035.8A3000	35	5400	3000K	>80	IP66	120°X105°	1,5kg
IND7MN.10.035.8A4000	35	5750	4000K	>80	IP66	120°X105°	1,5kg
IND7MN.10.035.8A5000	35	5800	5000K	>80	IP66	120°X105°	1,5kg

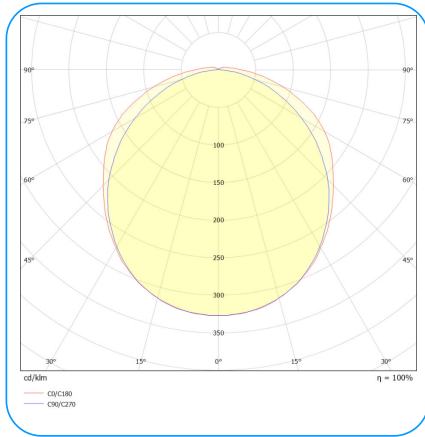


		H	W	L
STANDARD	IND7MN.1	84	101	703
DALI		84	101	703

Montage



Luminous flux



120°X105°

Available configurations

Family	Power version	Version	Power [W]	CRI	Type of diode	CCT [K]	Lens material	Diffuser material	Beam angle	Control	Operating temperature	Warranty	Modifications
IND7MN INDUSTRIAL LED MN 7.0	1 1	0 Standard	015 15W	8 >80	A Mid Power	3000 3000K	0 No lens	P21 PC diffuser Transparent	120105 120°x105°	00 On/Off	2540 -25°C+40°C	05Y 5 Years	0000 No modification
			035 35W			4000 4000K				D0 DALI	2550 -25°C+50°C	08Y 8 Years	E001 Through- wired
						5000 5000K					3550 -35°C+50°C	10Y 10 Years	E004 Through- wired; Quick connector
											3560 -35°C+60°C		E010 No driver
													F004 Outdoor version

Example product code

IND7MN.10.015.8A3000.0P21.120105.00.2550.05Y.0000

Photo Gallery

